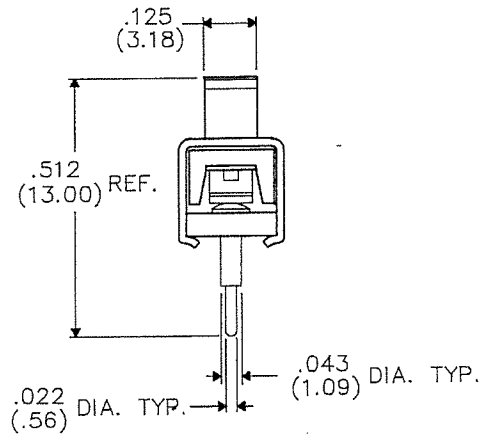
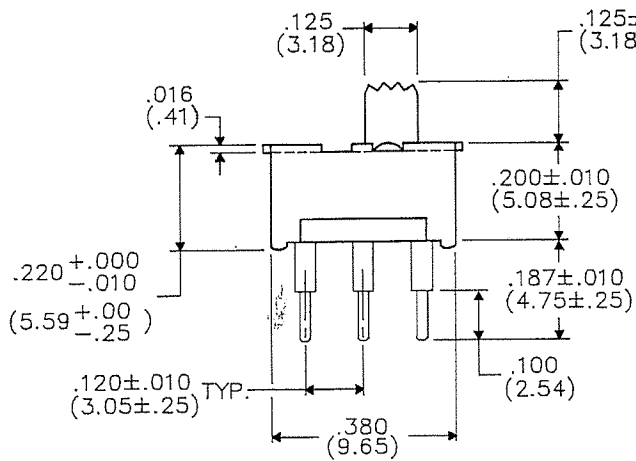
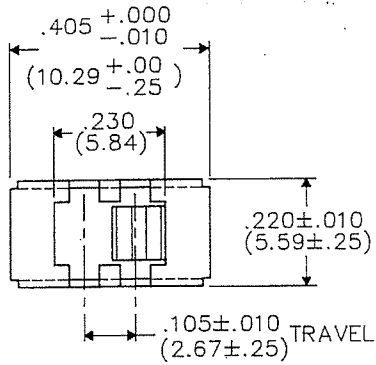


DIMENSIONS IN INCHES (MILLIMETERS)  
DO NOT SCALE DRAWING. . . .

Drawing No.  
**GS-115-0054**



8 - FORM 0

REVISIONS	0
RELEASED	
SPR	1-19-93

**ATTENTION**

THIS DRAWING AND ITS ATTACHMENTS, IF ANY, ARE PROPRIETARY TO CW INDUSTRIES AND DESCRIBE DESIGNS THAT ARE CONFIDENTIAL AND MUST NOT BE DISCLOSED UNLESS AUTHORIZED, IN WRITING, BY AN OFFICER OF CW INDUSTRIES.....

<b>CW INDUSTRIES</b> Southampton, Pa. 18966	Title <b>SWDGET JR. ASSEMBLY S.P.-D.T. RAD. KNURL</b>	
	Division <b>SWITCH</b>	
TOLERANCES UNLESS OTHERWISE SPECIFIED		
2 Place decimal ±.010	METRIC	
3 Place decimal ±.005	1 Place dec. ± .25 MM	
Angles	1° 2 Place dec. ± .13 MM	
Made for CW IND.		
Drawn by	SPR 1-19-93	
Checked by	G.GULDA 1-22-93	
Approval	533K 1-22-93	
Drawing No.		<b>GS-115-0054</b>